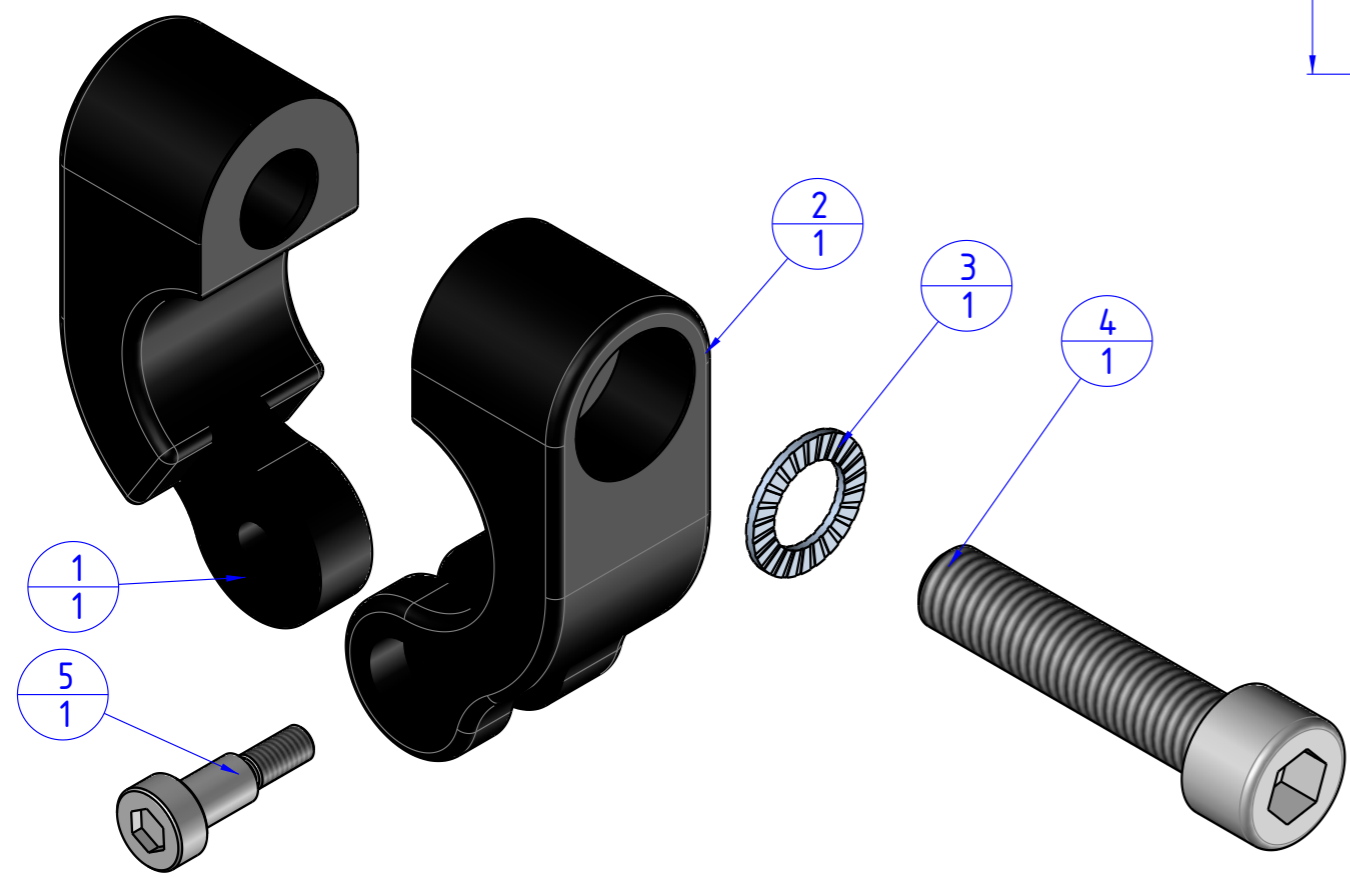
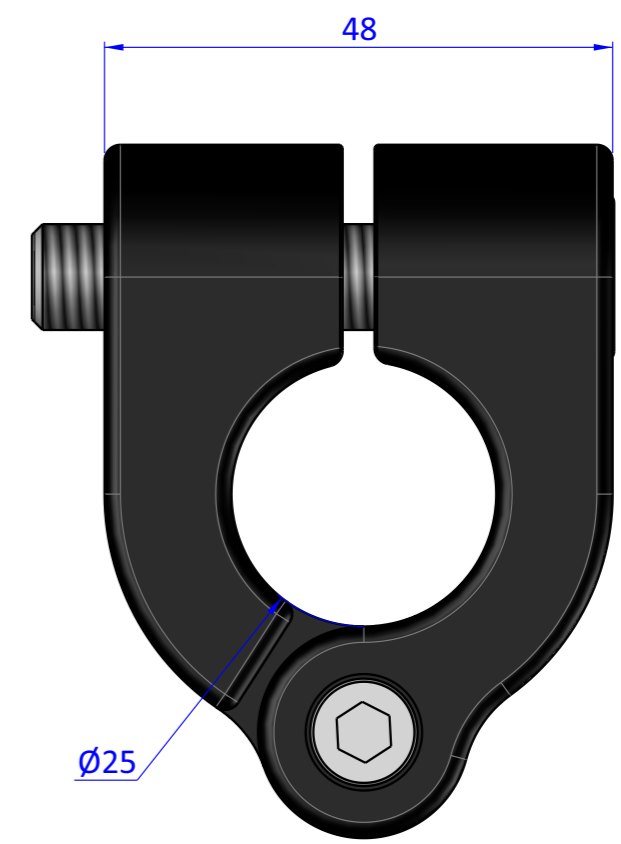
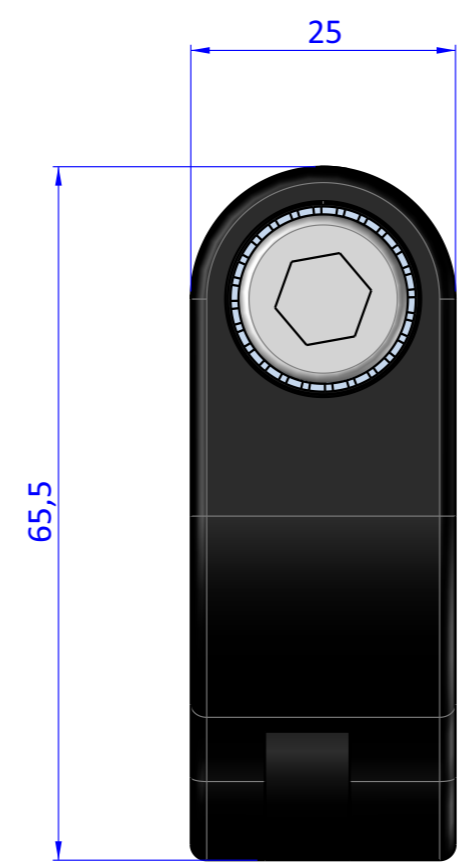

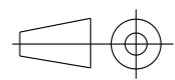


THE PROPERTY OF THE DRAWING IS ESTABLISHED BY LAW. IT IS FORBIDDEN TO PRODUCE OR SHOW IT TO THIRD PART - WITHOUT A WRITTEN AGREEMENT.

Item	Name	Q.ty
1	HAR.25.LM.01	1
2	HAR.25.LM.02	1
3	R.10.SCH	1
4	V.TCE10x45	1
5	V.UMB.06.10.M5	1



 FPS FPSERVICES AUTOMATION			DESIGNED FROM FPS Automation	REVIEW A
GENERAL TOLERANCE UNI - ISO 2768 CLASSE f		DESCRIPTION CA.HAR.25.LM		DATE 27/07/2022
		WEIGHT 0,048kg		CODE CA.HAR.25.LM

Format A3
UNI 936-76